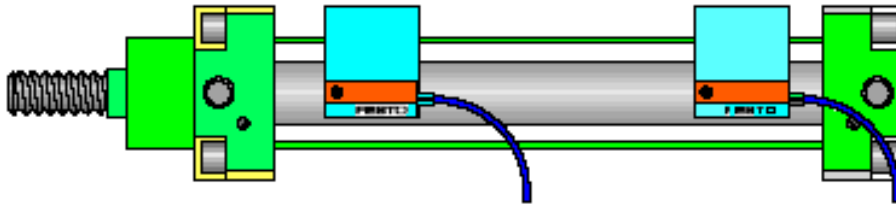
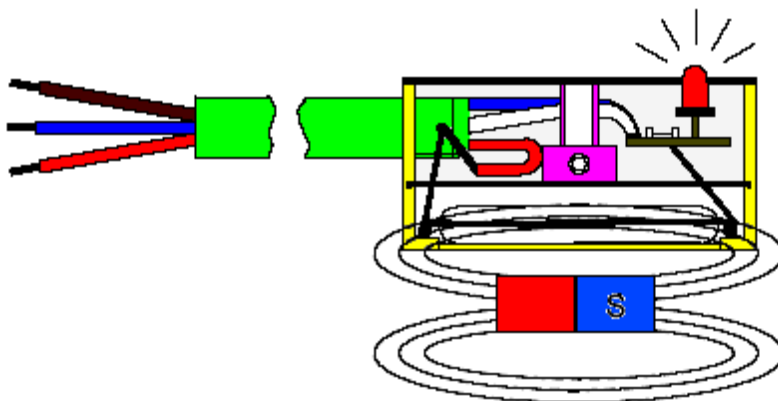


Fig. 3.1.3: Response characteristics of a reed proximity sensor

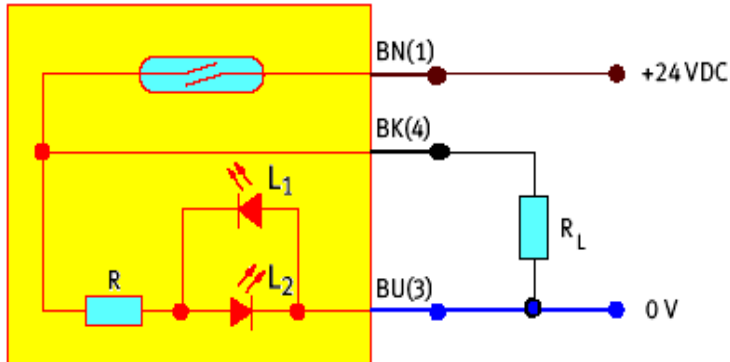


Cilindro Neumático con sensores de proximidad magnéticos

Interruptores de proximidad Magnéticos



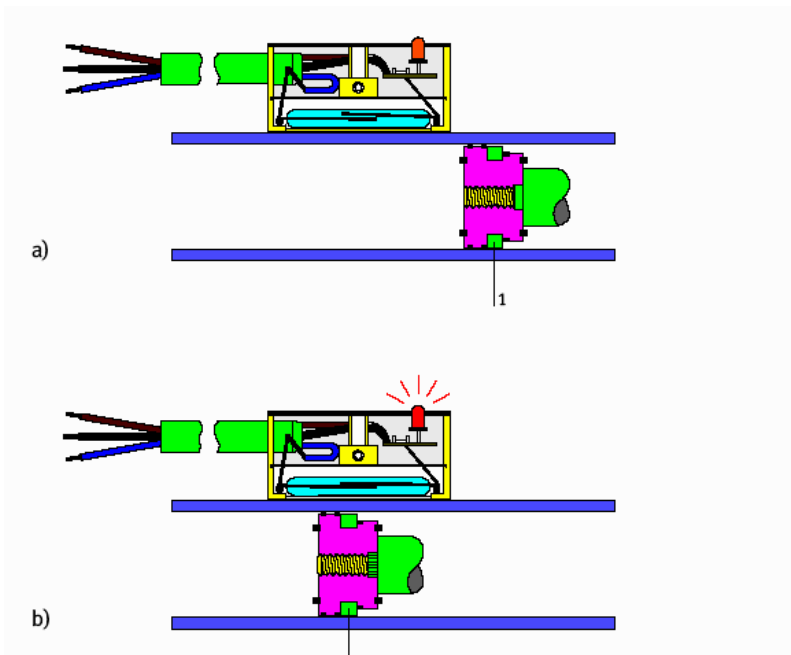
Interruptores de proximidad Magnéticos

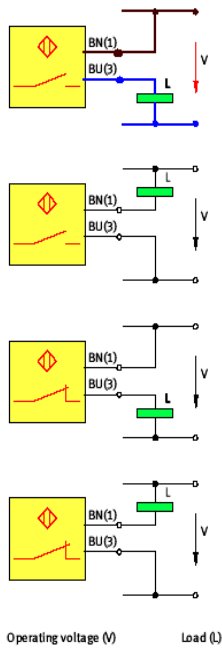


Resistencia de carga (R_L)

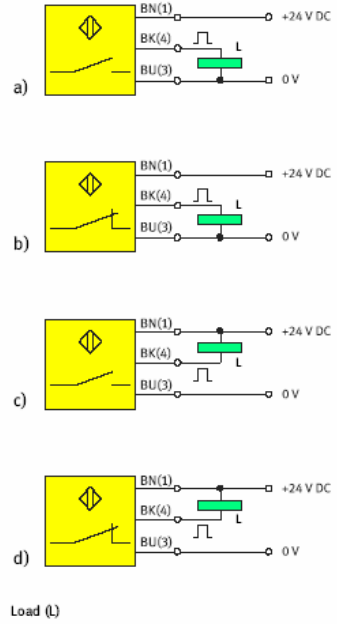
Diodos emisores de Luz (L_1, L_2)

Resistencia de protección (R)

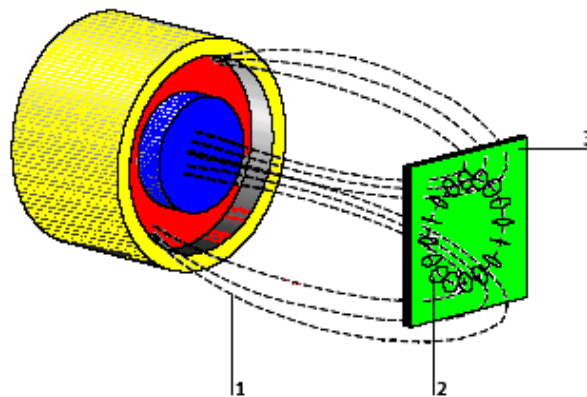




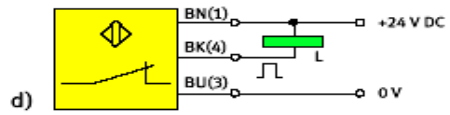
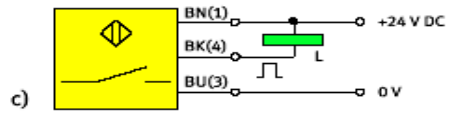
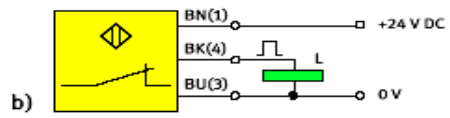
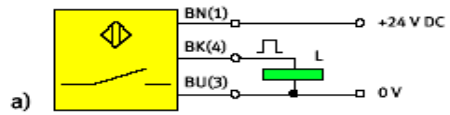
: Connection diagrams for two-wire technology (DC, AC and DC/AC (universal cu



- a) PNP normally open contact
- b) PNP normally closed contact
- c) NPN normally open contact
- d) NPN normally closed contact



- Magnetic stray field H_s (1)
- Eddy currents through magnetic field H_w (2)
- Attenuating material (3)



Load (L)

- a) PNP normally open contact
- b) PNP normally closed contact
- c) NPN normally open contact
- d) NPN normally closed contact