

[www.infoPLC.net](http://www.infoPLC.net)

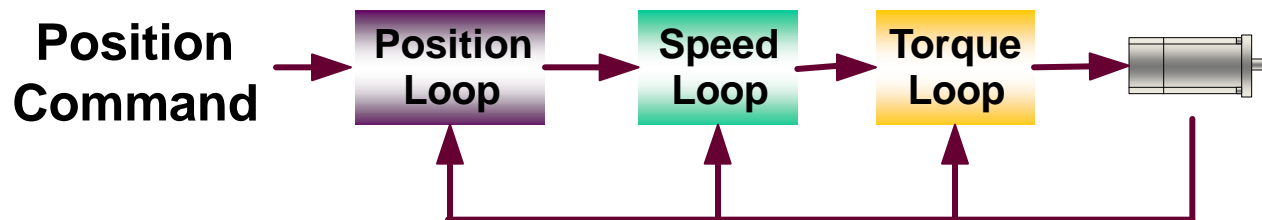
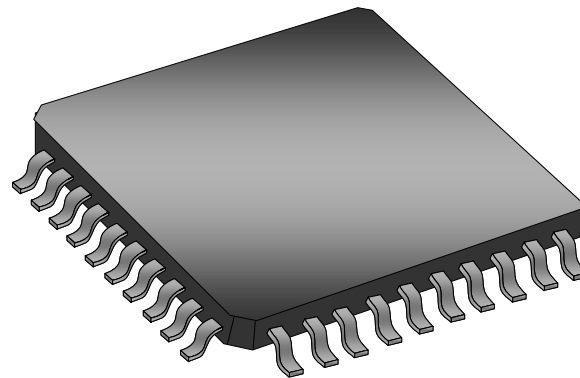
# Motion-Inside ASDA-M Servo System

Automation for a Changing World



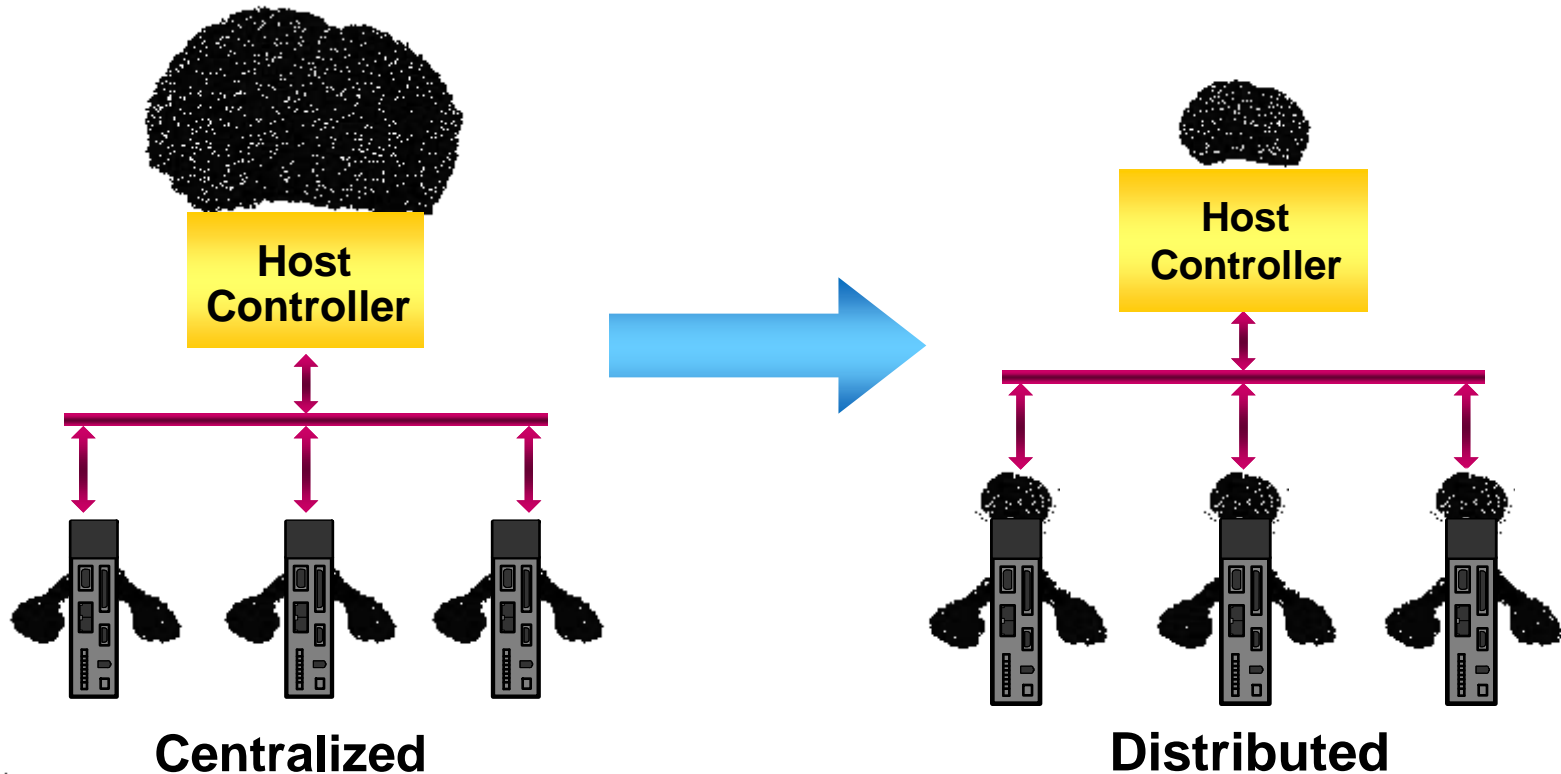
## Powerful Computing in DSP

- DSP (Digital Signal Processing) is getting more and more powerful to handle extra tasks than motion control loop as traditional.



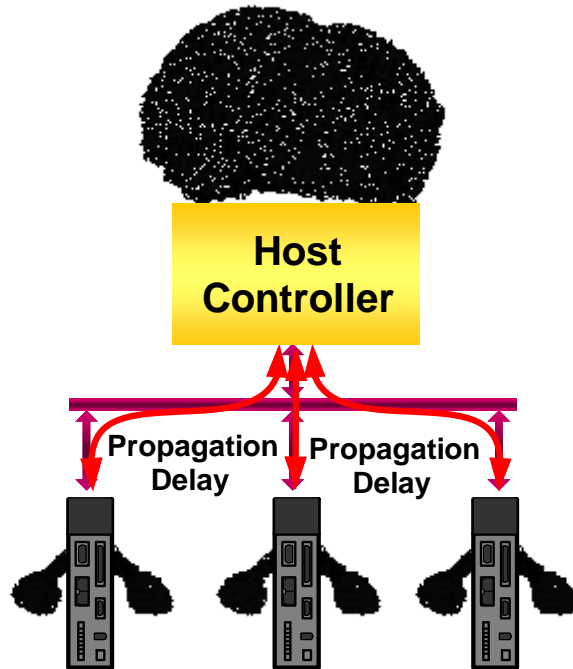
## The Difference between Innovation and Traditional

- The Host command the whole system with centralized way.
- The Host coordinate a distributed system while Servo getting smarter.

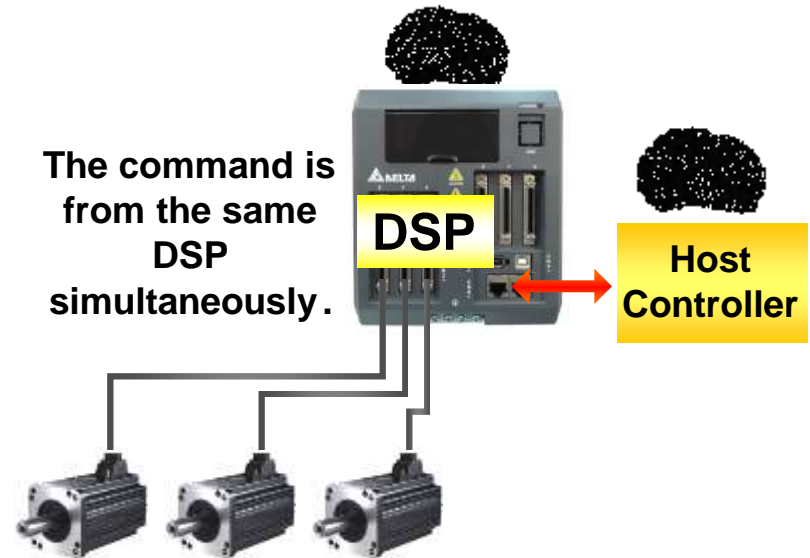


## Excellence in Synchronization Command

- In Traditional, the command is delivered to three drive
- In ASDA-M, the command of 3-axis interpolation is formed in one DSP, and executed simultaneously for 3 axes motor.



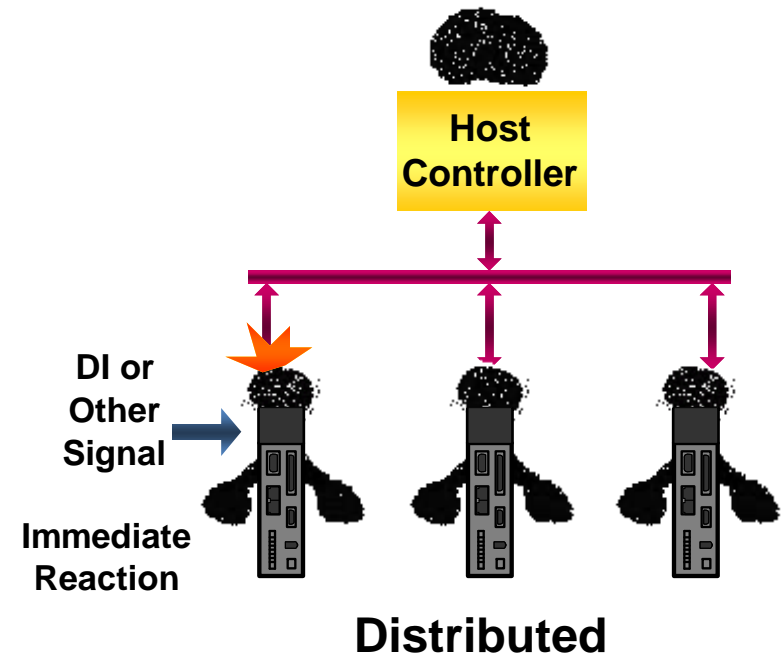
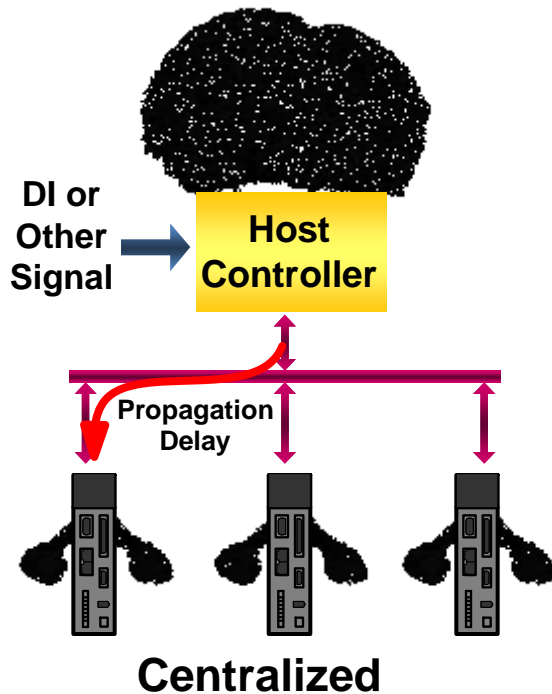
**Centralized**



**Distributed**

## Highly Responsive

- The command generated inside Servo without waiting for command from Host controller via communication.
- Lower-level controller is acceptable

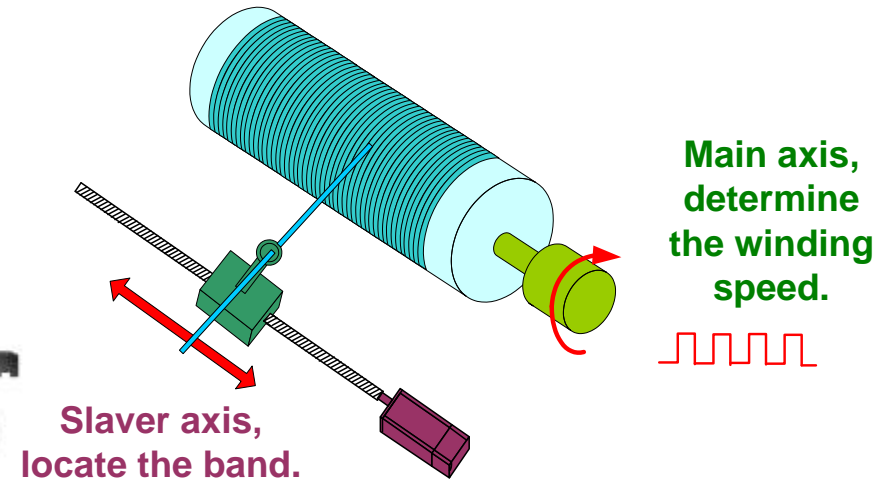
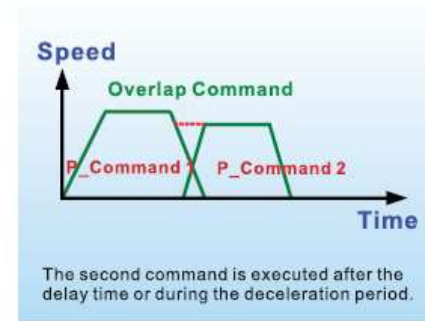
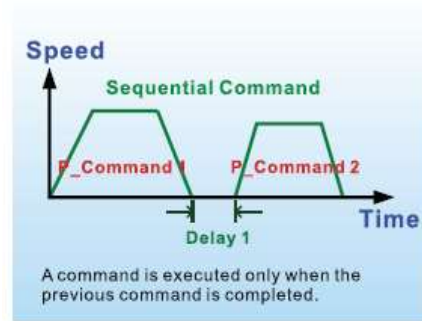


## Motion Inside

### PR Mode

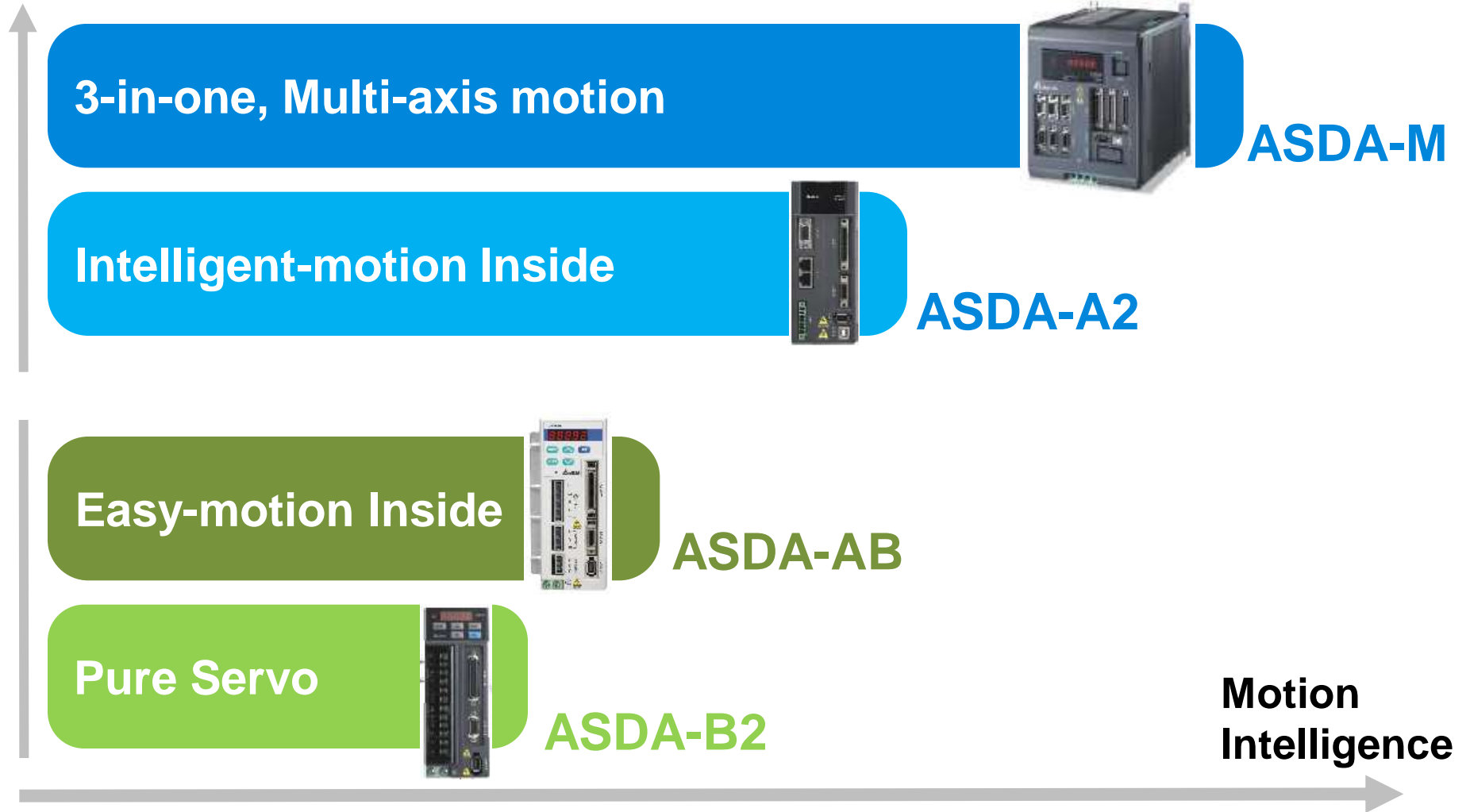
- 64 motion procedures
- 35 homing modes supported

### E-CAM



# Value-Added by Motion Inside

Advance

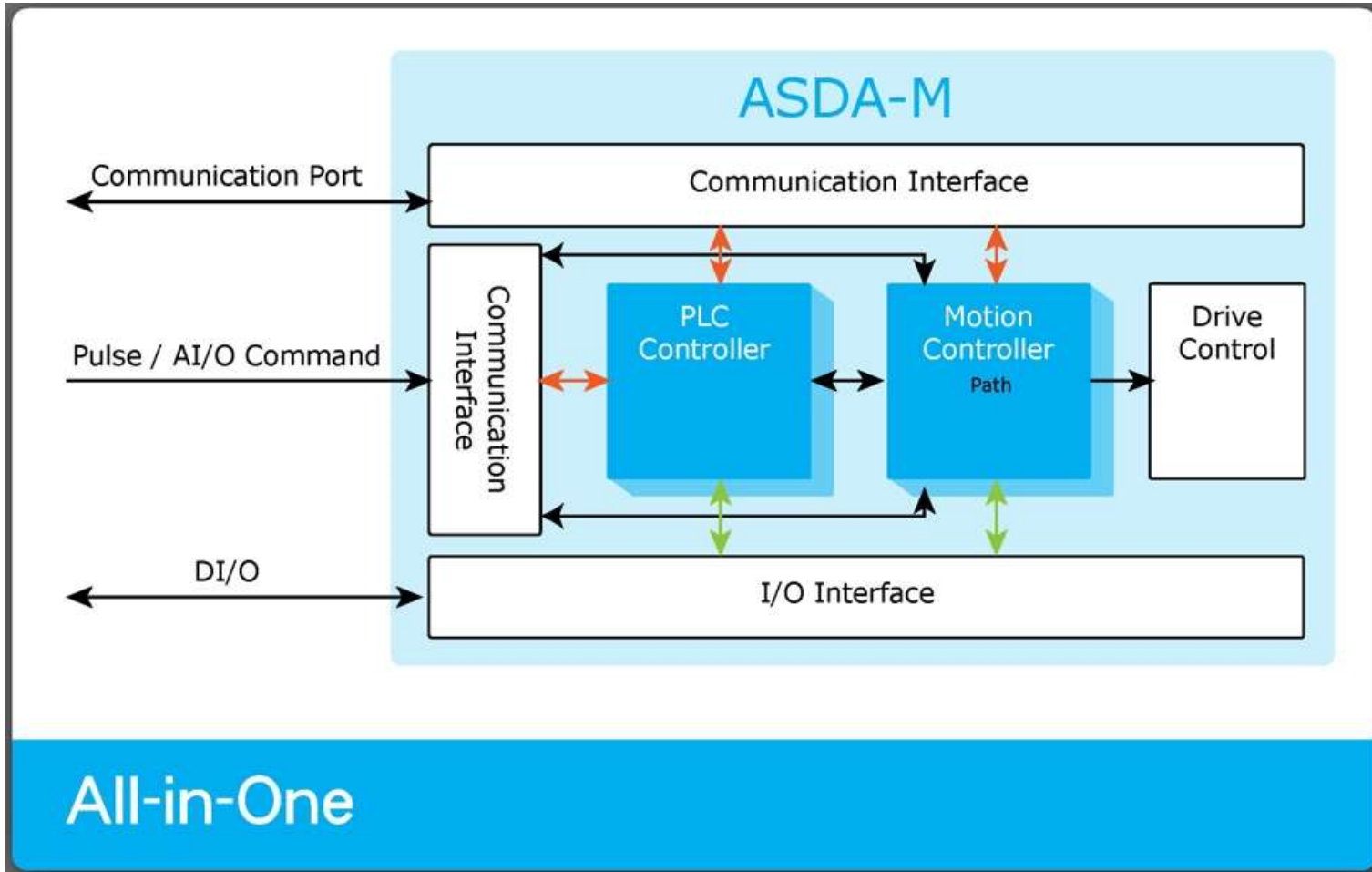




## The Intelligent Solution for Multi-axis Motion Systems



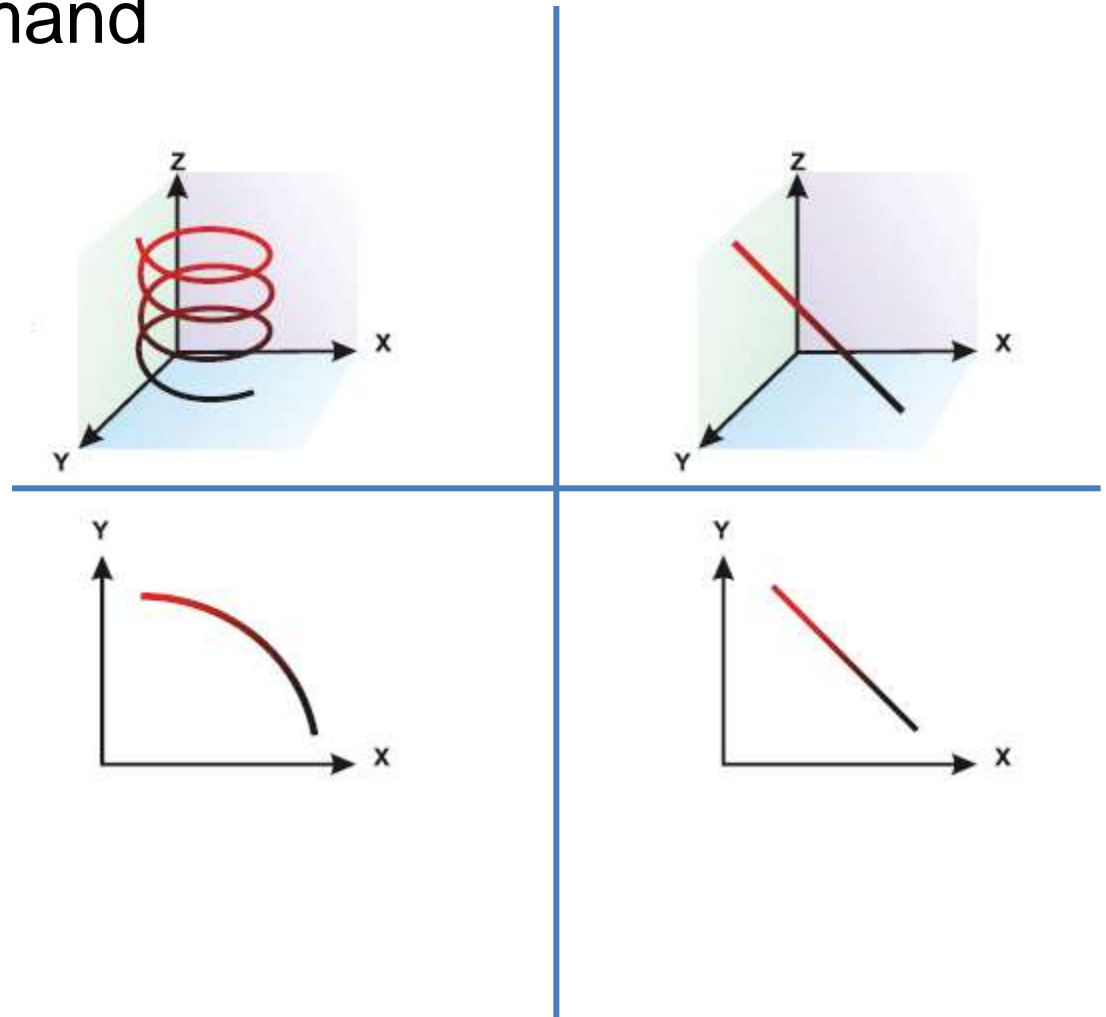
## Rich & Multi-functional Core Computing



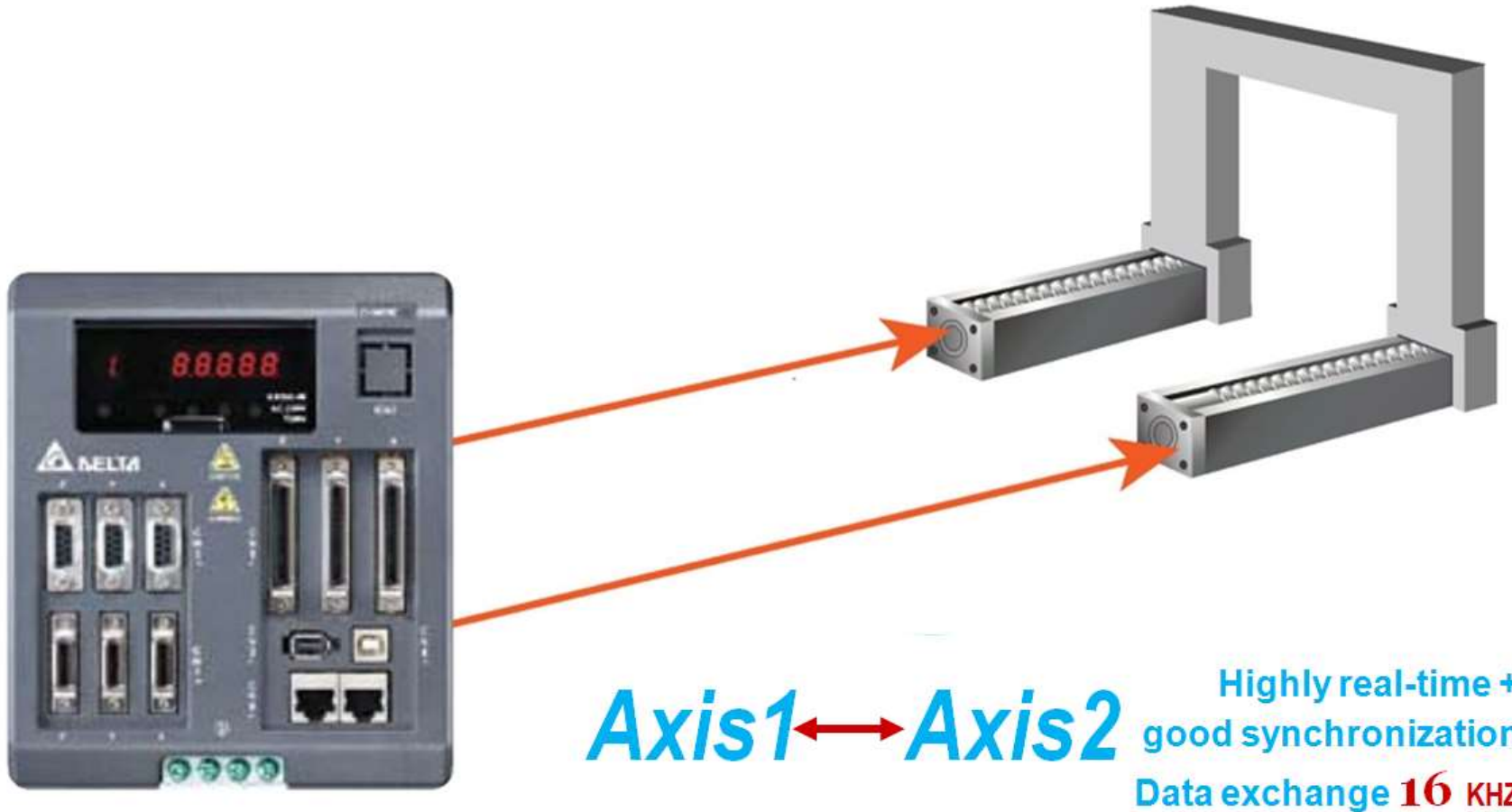
All-in-One

## A variety of motion command

- 3-axis Helical Interpolation
- 3-axis Linear Interpolation
- 2-Axis Arc Interpolation
- 2-Axis Linear Interpolation



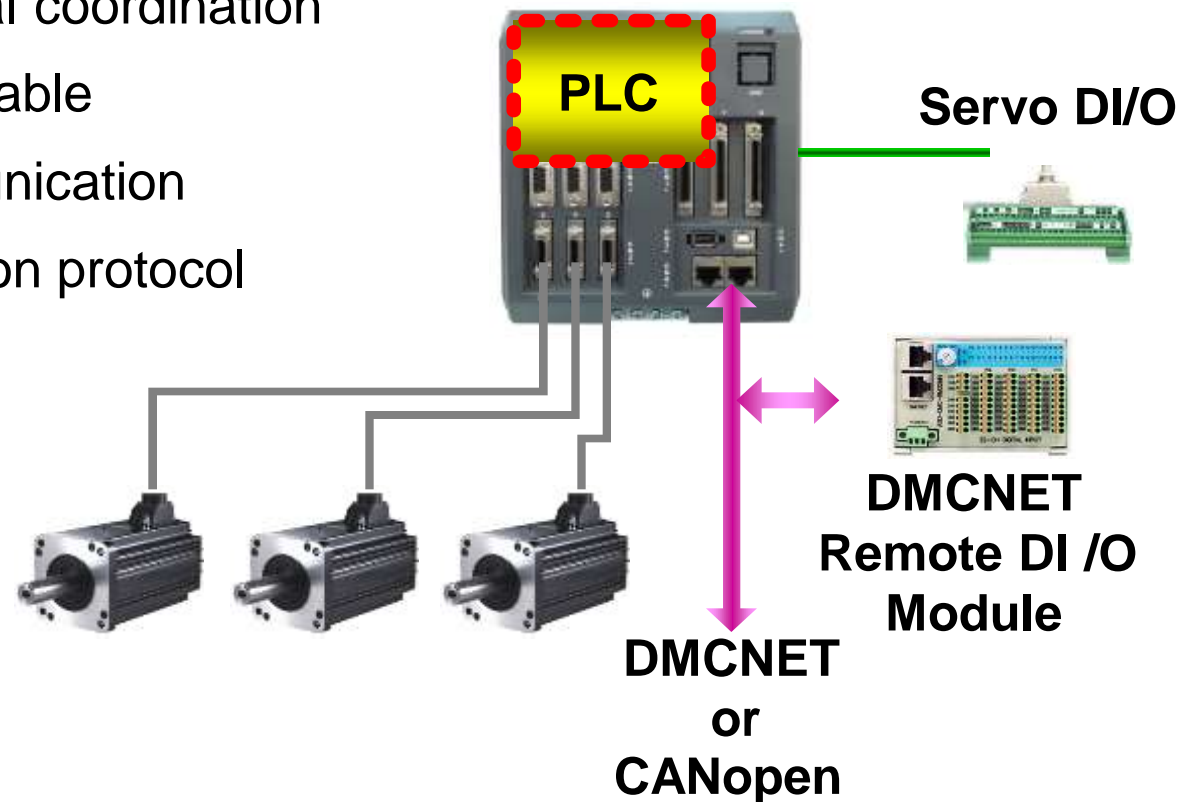
# Features of ASDA-M



**Advance Gantry Control**

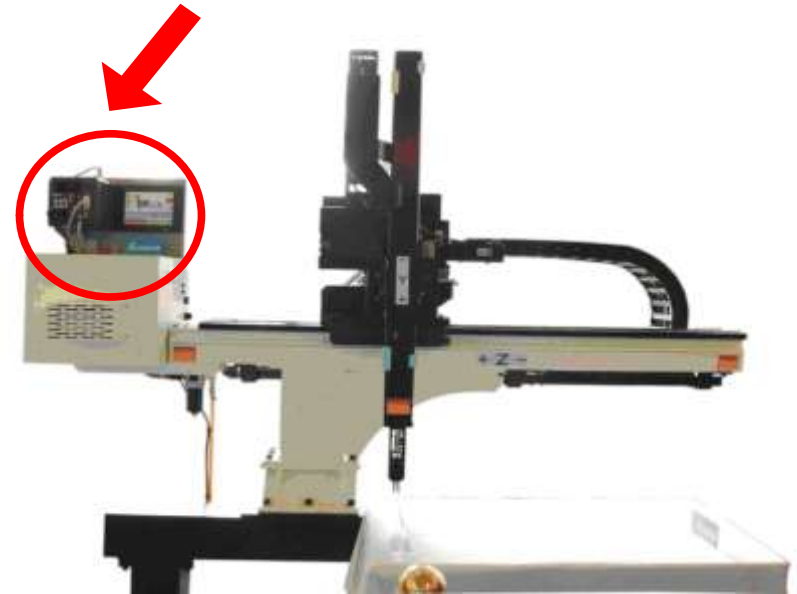
## An Innovation Way

- 3 axes of Servo Drive in one frame
- High C/P
- PLC built-in for sequential coordination
- Remote I/O module available
- DMCNET for fast communication
- A variety of communication protocol



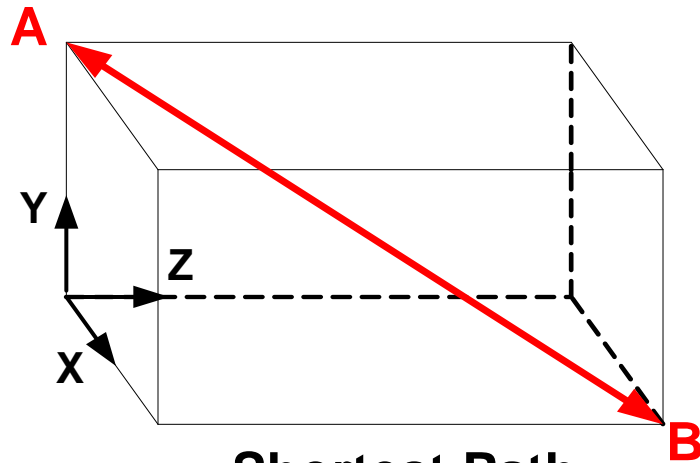
## Suitable for 3 axes application

- Material Handling Robot
- Welding Machine
- X-Y Table

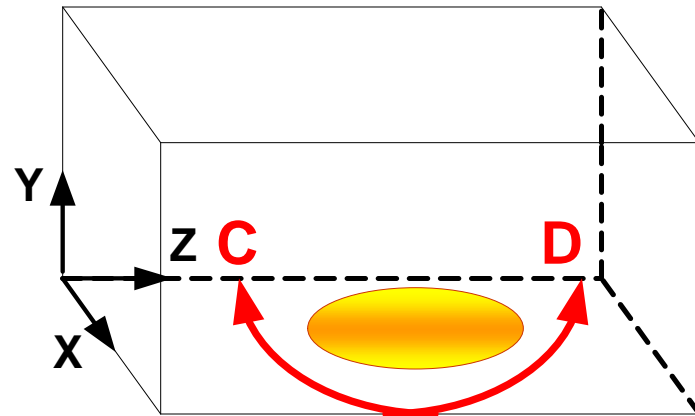


## Interpolation

- A special path or the shortest path is calculated and defined inside the servo drive.



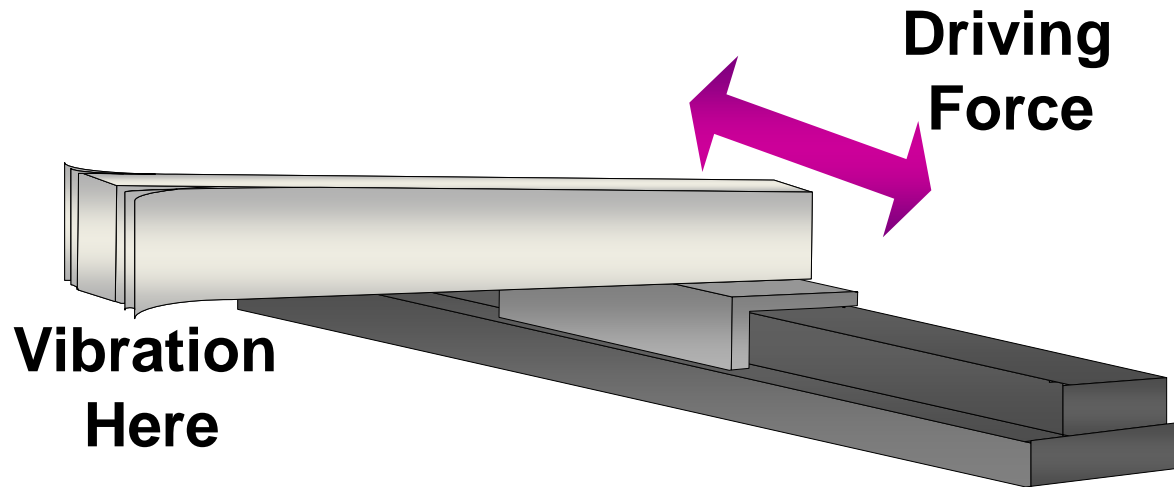
**Shortest Path:  
A to B**



**Avoid Certain Area  
from C to D**

## Vibration Suppression Function

- One great function for long arm mechanism like rectangular
- Helps the system to settle down fast



# ASDA-M Servo System

